

KP-S390

2D Panel Mount

KP-S390 2D industry is an efficient panel mount scanner, making it a strong all-round solution. It's equipped with a 0,4Mpixel camera that scans any 1D and 2D barcode with impressive speed and ease. **KP-S390 2D industry** is the device that allows to pick up any barcodes quickly, making it easy to use into kiosk, production line, etc.



2D



1D



0.4 PIXEL
SENSOR



1.8M DROP



IP 52



USB

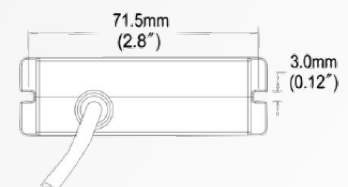
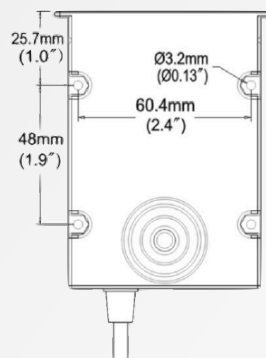
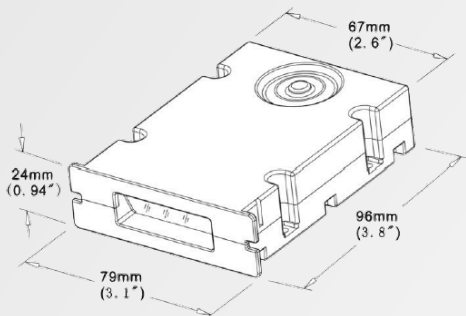


TEMPERATED
GLASS

KP-S390 2D Panel Mount

Main Characteristics

Physical	Dimensions	Height 9.6 mm, Width 7.7 mm, Depth 2.4 mm	
	Weight	160 gr, without cable	
	Connector Type	RJ-45 phone jack connector	
	Case Material	ABS	
	Exit Window Material	Tempered glass	
	Indicator	Beeper, LED	
Communication	Interface Supported	USB Keyboard, USB virtual COM RS-232, (optional)	
Performance	Operating Mode	Hand-held, Auto-detection	
	Programming Method	Manual (reading special barcode)	
	Firmware Upgrade	Supported	
	Input Voltage	USB 5 ±0.25VDC	
	Current	Standby: 45 mA Scanning: 280 mA	
	Image Size	752 x 480pixels	
	Scanning Angle	±45°, ±45°, 360° (skew, pitch, roll)	
	Print Contrast	20% minimum reflective difference	
	Minimum Resolution	1D (Code 128) 4mil 2D (PDF417) 6.7mils	
	Decoding Depth	10 mil Code39 (3 chars)	25mm – 221mm
	13 mil UPC (6 chars)	10 mm – 234mm	
	20 mil Code39 (5 char)	11mm – 380mm	
	6.7 mil PDF417 (20 chars)	50mm – 132mm	
	10 mil QR (20 chars)	23mm – 140mm	
	10 mil DM (20 chars)	27mm – 159mm	
	20 mil QR (20 chars)	17mm – 288mm	
Data Capture	Decoding Capability 1D	1D: UPC-A, UPC-E, UPC-E1, EAN-13, EAN-8, ISBN (Bookland EAN), ISSN, Code 39, Code 39 full ASCII, Code 32, Trioptic Code 39, Interleaved 2 of 5, Industrial 2 of 5(Discrete 2 of 5), Matrix 2 of 5, Codabar (NW7), Code 128, UCC/EAN 128, ISBT 128, Code 93, Code 11 (USD-8), MSI/Plessey, UK/Plessey, China Post, China Finance, Telepen, GSI DataBar (formerly RSS) variants	
	Decoding Capability 2D	2D: PDF417, QR Code, DataMatrix, Han Xin Code, Aztec Code, MicroQR Code, MicroPDF417, GSI Composite, CodaBlock F, GM Code	
Environmental	Temperature	Operating -10° to 55°C Storage -40° to 70°C	
	Humidity	5% to 95% (non-condensing)	
	Sailing	IP52	
	Safety	Safety: EN62471 ESD: EN55024 EMC: EN55022 RF Immunity: IEC6100-4-3	
	Mechanical Vibration	IEC60064-2-6	
	Mechanical Shock	IEC-60064-2-27	



The information in this document is subject to change without notice and should not be construed as a commitment by Kaptur. All reasonable precautions have been taken, Kaptur assumes no responsibility for any error that may appear in this document. All trademarks or registered trademarks are the properties of their respective companies.

Europe Office

Via dei Boschi, 2/13
33040 Pradamano (UD) ITALY
info@kaptur-id.com
www.kaptur-id.com

Hong Kong Office

407, 4th floor, Sunrise Industry Building,
10 Hong Man Street, Chai Wan, HK SAR
info@kaptur-id.com
www.kaptur-id.com

KPS390_EN_V1.00

kaptur

PRECISE DATA DEVICES